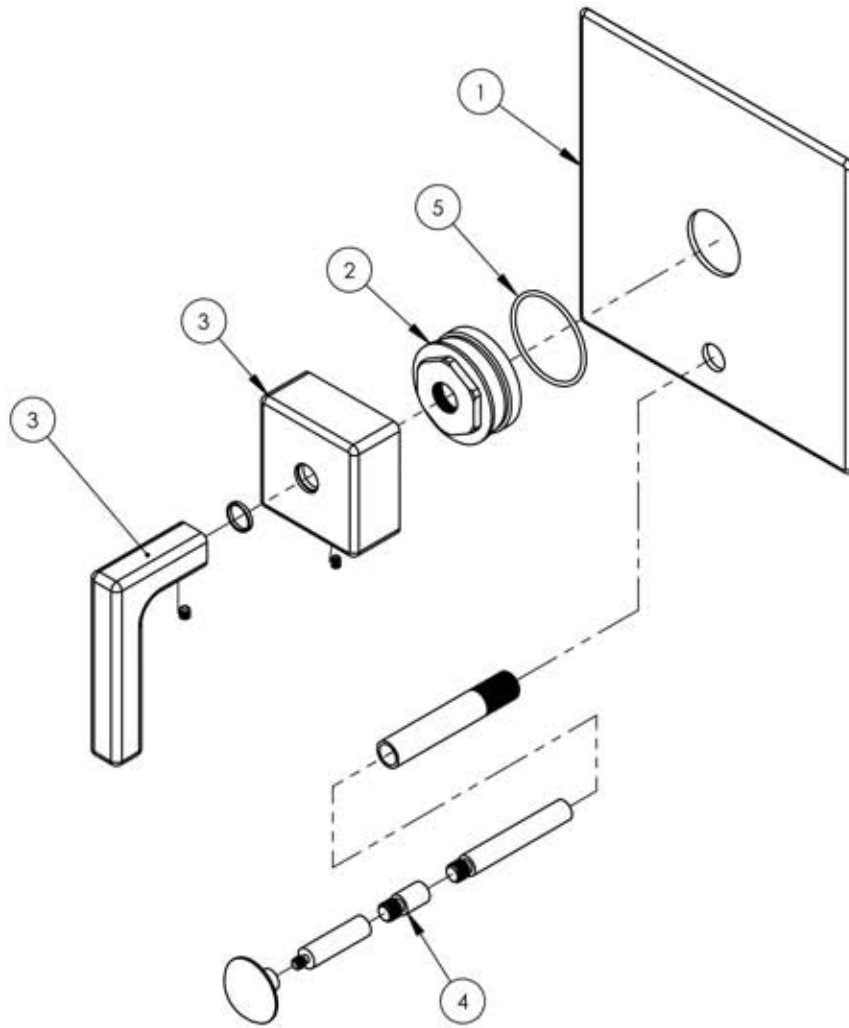


A

B

C

D



| ITEM NO. | PART NUMBER | DESCRIPTION  | QTY. |
|----------|-------------|--|------|
| 1        | 10959/00    | SHOWER TRIM PLATE W/ DIVERTER HOLE, MIX SERIES     | 1    |
| 2        | 11004       | SLEEVE MOUNT, WALL SHOWER                          | 1    |
| 3        | 3-120/00    | PB SHOWER SET, HANDLE LEVER MIX SERIES             | 1    |
|          | 10962/00    | HUB FOR SHOWER, MIX SERIES                         | 1    |
|          | 10924/00    | HANDLE, LEVER MIX SERIES                           | 1    |
|          | 92005       | SET SCREW, CUP PT 6-32UNC THREAD 3/16"L            | 1    |
|          | 92176       | WEAR WASHER  | 1    |
|          | 92008       | SET SCREW, CUP POINT 8-32                          | 1    |
| 4        | 3-125/00    | EXTENSION ASSY FOR PB TUB & SHOWER SET             | 1    |
|          | 11008/00    | DIVERTED STEM FOR PB PLATE                         | 1    |
|          | 11006/00    | PULL KNOB, DIVERTER, 10-24                         | 1    |
|          | 11085/00    | EXTENSION PIN FOR PB TUB & SHOWER SET              | 1    |
|          | 11007/00    | EXTENSION PIN FOR PB TUB & SHOWER SET 1.25LONGER   | 1    |
|          | P17066/00   | EXTENSION SLEEVE, STEM, PB TUB & SHOWER SET        | 1    |
| 5        | 90029       | O-RING, 1-5/8"ID X 1-3/4"OD X 1/16"THK. AS-568-029 | 1    |

E

| ZONE  | REV. | DESCRIPTION | DATE   | APPROVED |
|---|------|-------------|--|----------|
| REVISIONS   |      |             |  |          |
| 1261 LOGAN AVENUE<br>COSTA MESA, CALIFORNIA 92626<br>PHONE: 714.361.4800<br>FAX: 714.617.3120 |      | PHYLORICH®  | <b>PROPRIETARY AND CONFIDENTIAL</b><br><small>THE INFORMATION CONTAINED IN THIS DRAWING IS THE SOLE PROPERTY OF RSS MANUFACTURING. ANY REPRODUCTION IN PART OR AS A WHOLE WITHOUT THE WRITTEN PERMISSION OF RSS MANUFACTURING IS PROHIBITED.</small> |          |
| Defining Luxury Since 1959  |      |             |  |          |

|                      |         |   |  |                 |
|----------------------|---------|---|--|-----------------|
| -                    | -       | INTERPRET GEOMETRIC DIMENSIONING & TOLERANCING IN ACCORDANCE WITH ASME Y14.5-2009 & ASME Y14.41-2003 STANDARDS, UNLESS OTHERWISE SPECIFIED. DIMENSIONS ARE IN INCHES. TOLERANCES ARE: |  |                 |
| NEXT ASSY            | USED ON | FRACTIONS<br>±1/64"   | DECIMALS<br>X.X: ±.1<br>X.XX: ±.01<br>X.XXX: ±.005 | ANGULAR<br>±.5° |
| APPLICATION          |         | MATERIAL  | NAME   | DATE            |
| FINISH               |         | DRAWN   | MAF  | 12/18/2013      |
| DO NOT SCALE DRAWING |         | CHECKED   | GRE  |                 |

PB PLATE W/ DIVERTER, LEVER HANDLE,  
MIX SERIES

| SIZE       | ASM/PRT NO.  | REV          |
|------------|--------------|--------------|
| A          | 4-108/00     | -            |
| SCALE: 1:3 | WEIGHT: lbs. | SHEET 1 OF 2 |

5

4

3

2

1